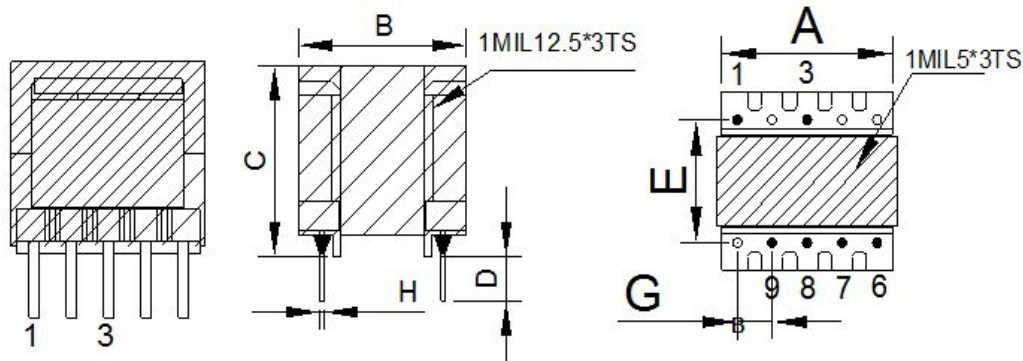


CUSTOMER TERMINAL	ROHS	Lead(Pb)-free
	YES	YES

1. Mechanical Dimensions

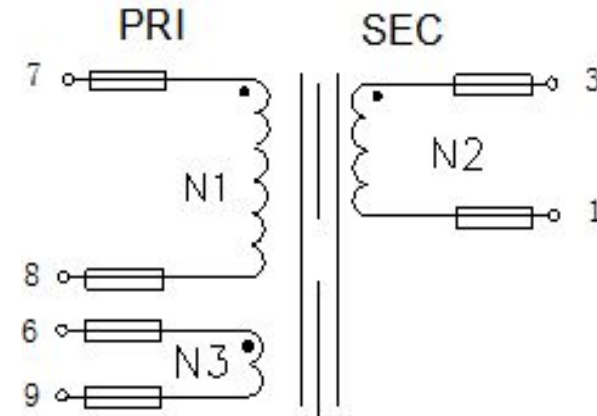


A	14.0	MAX
B	14.0	MAX
C	14.5	MAX
D	3.5	±0.5
E	8.5	±0.3
G	2.5	±0.2
H	0.60	±0.1

3. Material List

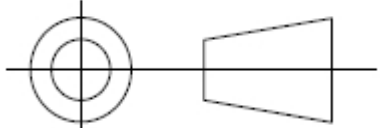
Core:FW44 EE13/12/6
 Bobbin:FWB1302(5+5PIN)
 Wire:2UEW TIW
 Operating Temperature: -30 to115 °C

2. Schematic Diagram



4. Electrical Specification

Inductance:L(7-8):3mH±5% 100KHZ ,1.0V
 Leakage Inductance : 85uH MAX 100KHZ , 1.0V
 DCR : (3-1)=0.69Ω MAX (7-8)=2.2Ω MAX
 Hi-Pot:P-S: AC 60Hz 1000V 2mA 3S

REV.	DATE	 Convention Placement	DRW.	Drawing Title:	Part No:		
0	00/00		CHK.			TRANSFORMER	FWPTEE13V302J
			APP.			Customer P/N	Specification Sheet 1of 1
ROHS		www.ferriwo.com					